



**BIOMASSA OPSLAG**

TECHNOLOGI

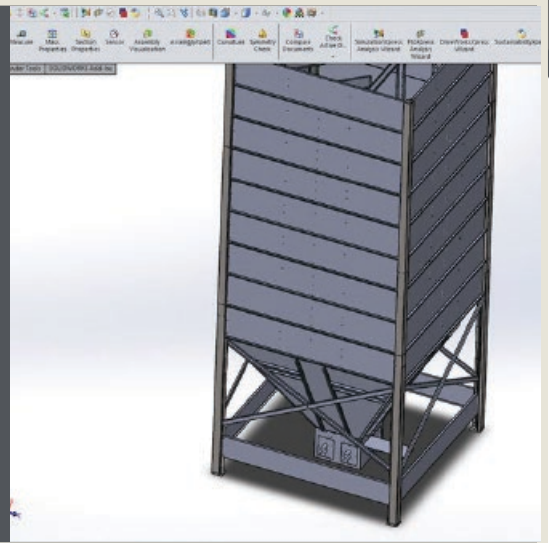


## Product Guide



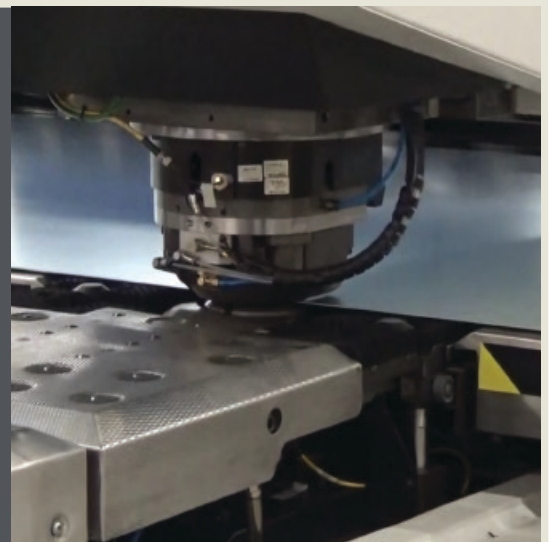
## DESIGN

Biomassa Opslag offer a wide range of modular silos designed to meet the specific requirements of biomass fuels such as wood pellet and wood chip, protecting the fuel during delivery and also protecting against condensation and fuel degradation during storage.



## MANUFACTURE

All products we sell are manufactured in house in our 26,000 square foot manufacturing facility. All products are CE certified and our production facility is certified to ISO 9001 quality standard.



## DELIVER

All of our products are designed to be flat packed and placed on a pallet allowing us to ship either directly or through our distributors to all corners of the globe.





# Index

**Company Information**

2 - 3

## **Wood Pellet Silos**

Square Silos

4 - 7

Rectangular Silos

8 - 11

Small Hopper

12 - 13

## **Wood Chip Silos**

Round Silos

14 - 16

## COMPANY INFORMATION

Biomass Silo Systems are a partner of Metaltech Engineering LTD, a leading steel fabrication company operating from a 26,000 square foot manufacturing facility.



Established in 2008 as a dedicated manufacturer of silos for the biomass heating industry all of our products are CE marked and manufactured to the highest possible quality standards.



All of our standard products are designed to be flat packed allowing us to export globally.



**USA**

**Canada**

**United Kingdom**

**France**

**Holland**

**Belgium**

**Spain**

The defining factor which sets us apart is the diverse range of silos which we offer our customers. From innovative, cost effective domestic silos to highly specified commercial silo offerings we can supply solutions to suit almost any site.



We take time to understand our customers particular requirements and our technical staff are always available to work with them through all stages of their projects from design right through to installation.



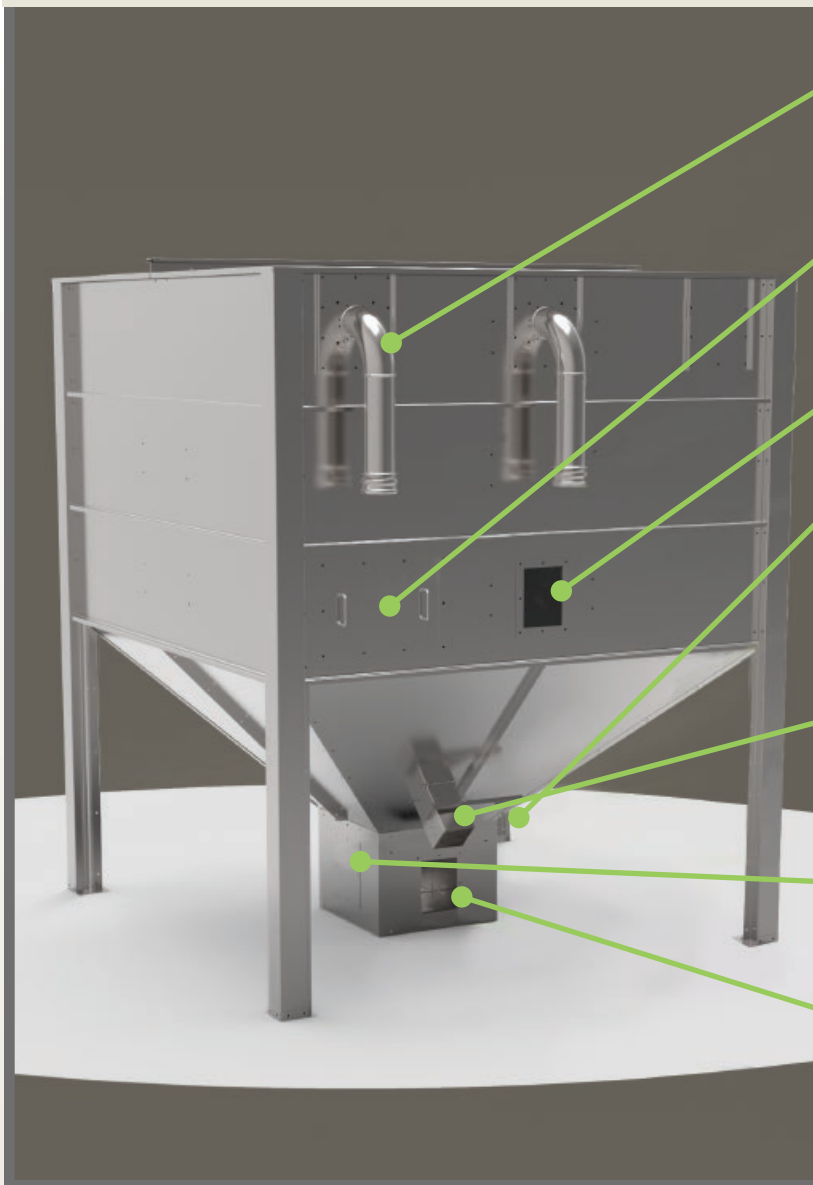
## SQUARE FOOTPRINT GALVANISED PELLET SILOS

With standard capacities ranging from 3-20 tons our square silos provide a robust, reliable and cost effective means of storing your wood pellet fuel.

Their modular design allows them to be delivered to site, flat packed for quick and easy assembly without the need for vehicular access or lifting equipment.

Available in both indoor and outdoor models, our silos are designed to prevent condensation and moisture ingress and maintain pellet quality over the life of their use.

### STANDARD FEATURES



#### **Bulk Delivery Connections**

Filling and ventilation pipework with delivery connections.

#### **Bag Filling Panel**

For bag filling and periodic cleaning and maintenance.

#### **Inspection Windows**

For checking pellet levels.

#### **Feed Shut off Slide**

To isolate feedbox during cleaning, filling and maintenance.

#### **Manual Extraction Chute**

For withdrawing pellets. Can be positioned on any side.

#### **Dust Removal Panel**

For removal of dust from silo.

#### **Feed Outlet**

Choice of standard auger or vacuum outlets.



## OPTIONAL EXTRA FEATURES

### Silo Base Angle

Our standard silo cone has an angle of 45° but this can be increased to 60° for both the 2.4m and 2.8m square silo ranges upon customer. A 60° angle ensures even drainage and eliminates dust separation within the silo. This means that the silo will need significantly less cleaning and maintenance over its life and is recommended for larger silos or silos which will receive a large number of deliveries per year.



### Apex Roof

All outdoor silos can be supplied with an apex roof rather than the standard flat roof. As well as making your silo look nicer in an outdoor setting this type of roof is recommended in colder climates to stop snow from collecting on the roof in areas with high snow loads.



### Green Coat

Our standard silos are supplied in galvanised steel, however we also offer the option of a Green PVC coated finish. This special material is designed to last for 30+ years in outdoor environments and gives the silo a more natural look, helping it to blend into its surroundings.



## TECHNICAL DATA

### 2.0m Square Footprint Galvanised Pellet Silos

Prod Code	Description	Footprint	Height	Volume	Useful Capacity
W322	3.0 Ton Pellet Silo	2m X 2m	2.225m	5.86m <sup>3</sup>	2.9 Tons
W3522	3.5 Ton Pellet Silo	2m X 2m	2.425m	6.72m <sup>3</sup>	3.4 Tons
W422	4.0 Ton Pellet Silo	2m X 2m	2.855m	8.44m <sup>3</sup>	4.5 Tons
W522	5.0 Ton Pellet Silo	2m X 2m	3.285m	10.16m <sup>3</sup>	5.5 Tons
W622	6.0 Ton Pellet Silo	2m X 2m	3.715m	11.88m <sup>3</sup>	6.6 Tons
W822	8.0 Ton Pellet Silo	2m X 2m	4.575m	15.32m <sup>3</sup>	8.8 Tons
W1022	10.0 Ton Pellet Silo	2m X 2m	5.435m	18.76m <sup>3</sup>	11.0 Tons

### 2.4m Square Footprint Galvanised Pellet Silos

Prod Code	Description	Footprint	Height	Volume	Useful Capacity
W42-4	4.0 Ton Pellet Silo	2.4m X 2.4m	2.45m	8.78m <sup>3</sup>	4.1 Tons
W52-4	5.0 Ton Pellet Silo	2.4m X 2.4m	2.65m	10.02m <sup>3</sup>	4.9 Tons
W62-4	6.0 Ton Pellet Silo	2.4m X 2.4m	3.08m	12.50m <sup>3</sup>	6.5 Tons
W82-4	8.0 Ton Pellet Silo	2.4m X 2.4m	3.51m	14.98m <sup>3</sup>	8.1 Tons
W102-4	10.0 Ton Pellet Silo	2.4m X 2.4m	4.37m	19.94m <sup>3</sup>	11.35 Tons
W122-4	12.0 Ton Pellet Silo	2.4m X 2.4m	4.80m	22.42m <sup>3</sup>	12.96 Tons
W142-4	14.0 Ton Pellet Silo	2.4m X 2.4m	5.66m	27.38m <sup>3</sup>	16.18 Tons

### 2.8m Square Footprint Galvanised Pellet Silos

Prod Code	Description	Footprint	Height	Volume	Useful Capacity
W62-8	6.0 Ton Pellet Silo	2.8m X 2.8m	2.64m	12.48m <sup>3</sup>	5.9 Tons
W82-8	8.0 Ton Pellet Silo	2.8m X 2.8m	3.27m	17.54m <sup>3</sup>	9.2 Tons
W102-8	10.0 Ton Pellet Silo	2.8m X 2.8m	3.70m	20.91m <sup>3</sup>	11.4 Tons
W122-8	12.0 Ton Pellet Silo	2.8m X 2.8m	4.13m	24.28m <sup>3</sup>	13.6 Tons
W142-8	14.0 Ton Pellet Silo	2.8m X 2.8m	4.56m	27.65m <sup>3</sup>	15.8 Tons
W162-8	16.0 Ton Pellet Silo	2.8m X 2.8m	4.99m	31.02m <sup>3</sup>	18.0 Tons
W182-8	18.0 Ton Pellet Silo	2.8m X 2.8m	5.42m	34.39m <sup>3</sup>	20.2 Tons
W202-8	20.0 Ton Pellet Silo	2.8m X 2.8m	5.66m	37.76m <sup>3</sup>	22.3 Tons



## OUR MODELS



**W3522**

3.5 Ton Capacity  
2.0m Square  
Footprint



**W62-4**

6.0 Ton Capacity  
2.4m Square  
Footprint



**W82-8**

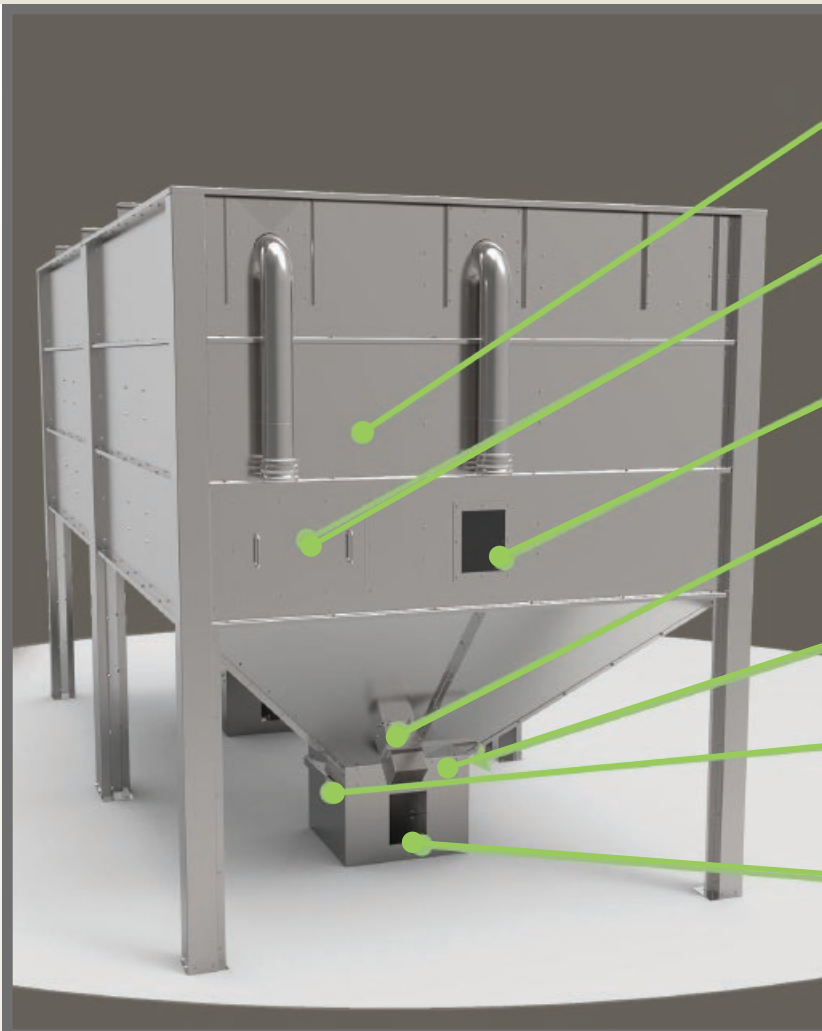
8.0 Ton Capacity  
2.8m Square  
Footprint

## RECTANGULAR FOOTPRINT GALVANISED PELLET SILOS

Our rectangular pellet stores come in capacities from 6 - 20 Ton. They come with all of the same features as the square silos but allow users to benefit from increased capacity by doubling the footprint of the silo rather than increasing the height.

These silos come with two outlets as standard but we can also supply with a v-shaped base to allow users to use a third party trough auger with the silo if required.

### STANDARD FEATURES



#### **Bulk Delivery Connections**

Filling and ventilation pipework with delivery connections.

#### **Bag Filling Panels**

For bag filling and periodic cleaning and maintenance.

#### **Inspection Windows**

For checking pellet levels.

#### **Feed Shut off Slide**

To isolate feedbox during cleaning, filling and maintenance.

#### **Manual Extraction Chute**

For withdrawing pellets. Can be positioned on any side.

#### **Dust Removal Panel**

For removal of dust from silo.

#### **Feed Outlet**

Choice of standard auger or vacuum outlets.

### OPTIONAL EXTRA FEATURES:

- Apex Roof
- Green Coat
- V-Shaped Base

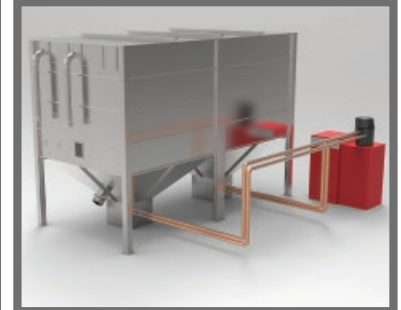


## SILO BASE TYPES AND FEED OPTIONS

### TYPE 1 – Double Outlet

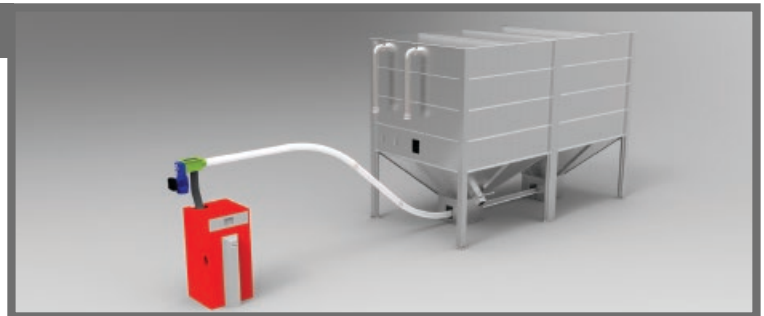
#### Separate Outlets

Each feed outlet is used separately with either two auger or two vacuum feeds.



#### Flexi Auger System

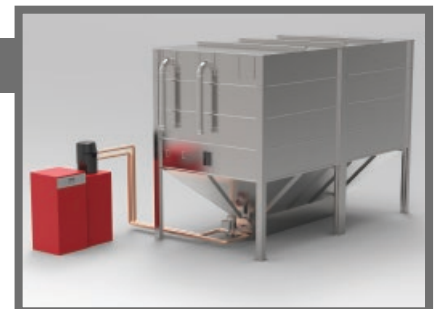
A flexi auger can be used to pick up pellets from both feed outlets and transport to the boiler. These systems can only pick up pellets from one outlet at a time.



### TYPE 2 – V Shaped Base

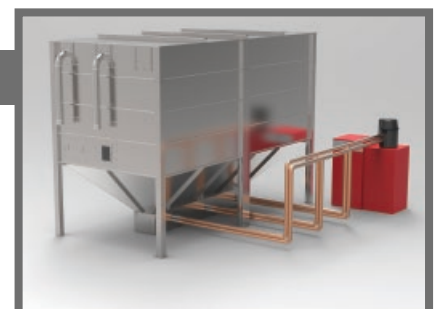
#### Trough Auger Extraction

A V-shaped base allows users to install a third party trough auger inside the silo. This is usually supplied by the boiler company.



#### Trough With Vacuum Outlets

Instead of an auger, an open trough can be supplied with multiple vacuum extraction points placed evenly along its length.



## TECHNICAL DATA

### 1m x 3m/4m Rectangular Footprint Galvanised Pellet Silos

Prod Code	Description	Footprint	Height	Volume	Useful Capacity
W313	3.0 Ton Pellet Silo	1m X 3m	2.855m	5.90m <sup>3</sup>	3.5 Tons
W413	4.0 Ton Pellet Silo	1m X 3m	3.285m	7.19m <sup>3</sup>	4.3 Tons
W513	5.0 Ton Pellet Silo	1m X 3m	3.715m	8.48m <sup>3</sup>	5.2 Tons
W314	3.0 Ton Pellet Silo	1m X 4m	2.225m	5.30m <sup>3</sup>	3.2 Tons
W414	4.0 Ton Pellet Silo	1m X 4m	2.855m	7.88m <sup>3</sup>	4.9 Tons
W514	5.0 Ton Pellet Silo	1m X 4m	3.285m	9.60m <sup>3</sup>	6.0 Tons
W614	6.0 Ton Pellet Silo	1m X 4m	3.715m	11.32m <sup>3</sup>	7.1 Tons

### 2m x 4m Rectangular Footprint Galvanised Pellet Silos

Prod Code	Description	Footprint	Height	Volume	Useful Capacity
W624	6.0 Ton Pellet Silo	2m X 4m	2.225m	11.72m <sup>3</sup>	5.8 Tons
W724	7.0 Ton Pellet Silo	2m X 4m	2.425m	13.44m <sup>3</sup>	6.8 Tons
W824	8.0 Ton Pellet Silo	2m X 4m	2.855m	16.88m <sup>3</sup>	9.0 Tons
W1024	10.0 Ton Pellet Silo	2m X 4m	3.285m	20.32m <sup>3</sup>	11.0 Tons
W1224	12.0 Ton Pellet Silo	2m X 4m	3.715m	23.76m <sup>3</sup>	13.2 Tons
W1424	14.0 Ton Pellet Silo	2m X 4m	4.145m	27.20m <sup>3</sup>	15.4 Tons
W1624	16.0 Ton Pellet Silo	2m X 4m	4.575m	30.64m <sup>3</sup>	17.6 Tons
W2024	20.0 Ton Pellet Silo	2m X 4m	5.435m	37.52m <sup>3</sup>	22.0 Tons



## OUR MODELS



### W513

5.0 Ton  
Capacity  
1m X 3m  
Footprint



### W1424

14.0 Ton  
Capacity  
2m X 4m  
Footprint



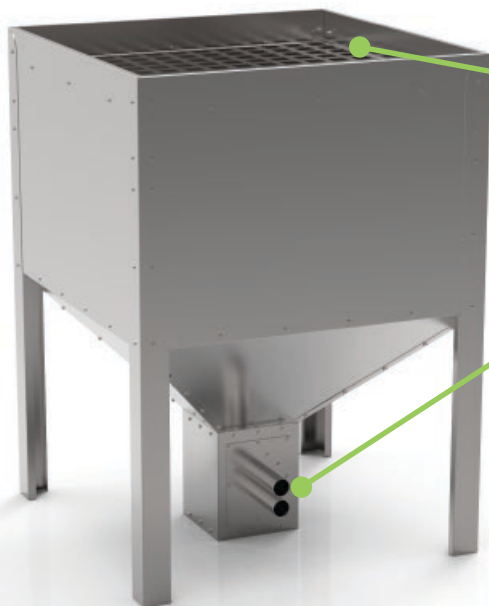
## DAY HOPPERS - INDOOR

These small day hoppers come in 200kg and 500kg sizes and are ideal for storing smaller quantities of pellets next to your boiler for automatic feeding where the space required to locate a bulk pellet store is not available.

Bagged pellets are manually loaded into the hoppers through the roof grate.

These hoppers are simple, cost effective and easy to assemble in approximately 15 minutes.

### STANDARD FEATURES



#### Roof Grate

For bag filling the hopper.

#### Feed Outlet

Suitable for standard auger or vacuum connections.

Prod Code	Description	Footprint	Height	Volume	Useful Capacity
WS02I	200 Kg Pellet Silo	0.6m x 0.6m	1.3m	0.32m <sup>3</sup>	205 kgs
WS05I	0.5 Ton Pellet Silo	1m x 1m	1.4m	0.91m <sup>3</sup>	0.59 Tons

**WS05I**

0.5 Ton  
1m x 1m



**WS02I**

200kg  
0.6m x 0.6m



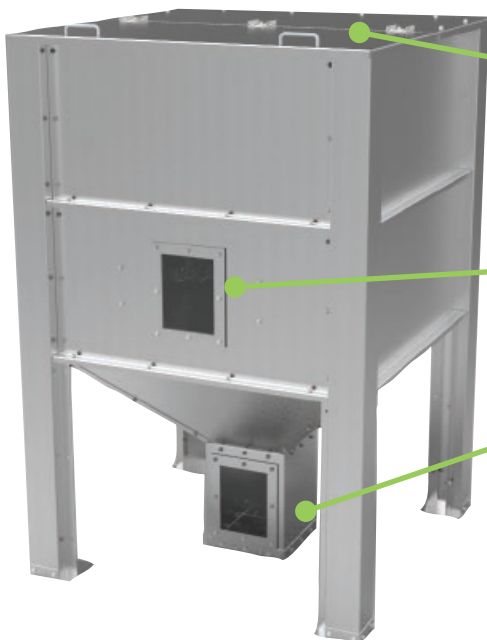
## MINI HOPPERS - OUTDOOR

Our mini hoppers are designed for either indoor or outdoor use and come in 0.5 and 1.0 Ton sizes. Ideal for storing enough pellets to avoid having to constantly fill up a boilers day hopper.

Bagged pellets are loaded through a hinged lid on the roof of the hopper.

These silos can also be supplied in green coat material or with fittings to allow for bulk pellet delivery when required.

### STANDARD FEATURES



#### Liftable lid

Waterproof hinged lid for bag filling the hopper.

#### Fuel Level Viewing Window

For checking pellet levels.

#### Feed Outlet

Suitable for standard auger or vacuum connections

Prod Code	Description	Footprint	Height	Volume	Useful Capacity
WS05	0.5 Ton Pellet Silo	1m x 1m	1.50m	0.88m <sup>3</sup>	0.58 Tons
WS10	1.0 Ton Pellet Silo	1.4m x 1.4m	1.65m	1.92m <sup>3</sup>	1.24 Tons



#### WS05

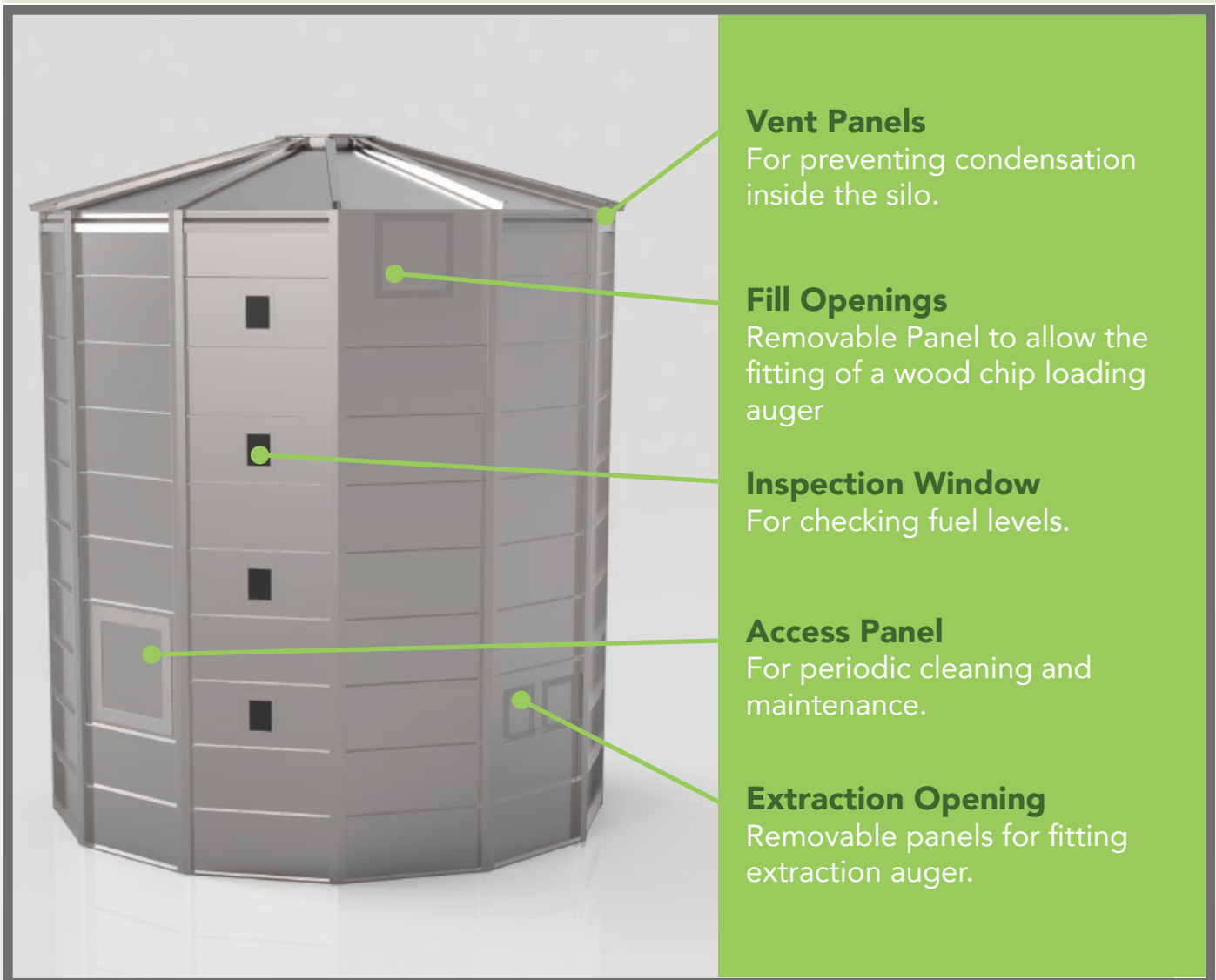
0.5 Ton  
1m x 1m

## WOOD CHIP SILOS

Our standard 10,12 & 16 sided round sided wood chip silos are manufactured from galvanised steel and provide a perfect outdoor storage environment for bulky wood chip fuel. Their modular design allows them to be delivered to site flat packed for quick and easy assembly without the need for vehicular access or lifting equipment.

Standard diameters of between 3.5-6.0m are available incorporating capacities from 40 – 160m<sup>3</sup>. These silos can also be fitted with a conical base to allow them to be used with wood pellet and other bulk fuels.

### STANDARD FEATURES

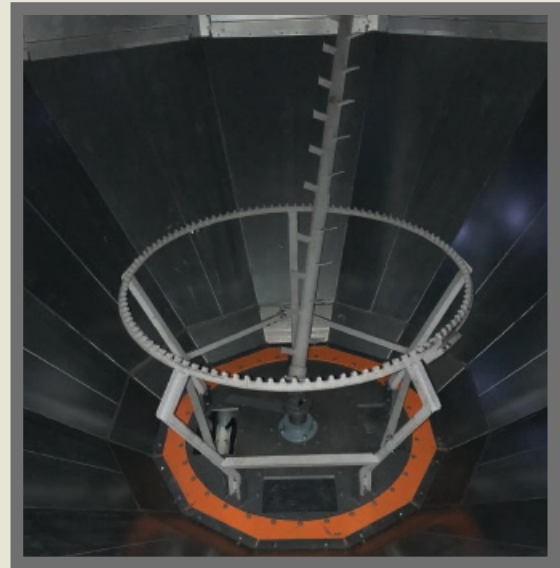




## OPTIONAL EXTRA FEATURES



**Fill & Vent Pipework –**  
Can be supplied to allow blown deliveries of wood chip or wood pellet.



**Conical Silo Base –**  
45 deg conical base allows these silos to be used to store wood pellets and other bulk materials.



**Powder Coating –** Silo powder coated to match its surroundings.

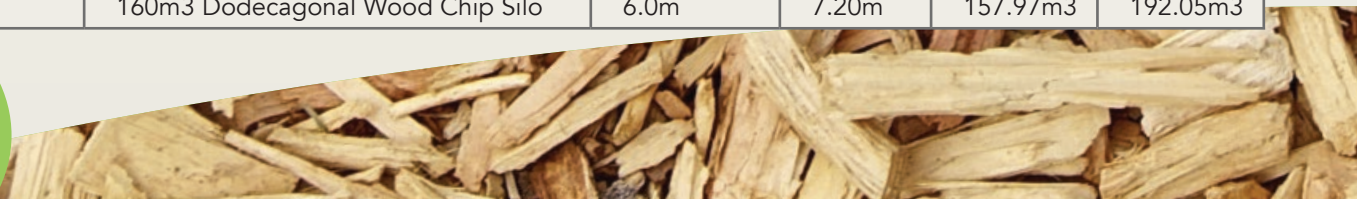


**Access Ladder –**  
Including roof access panel.



## TECHNICAL DATA

Prod Code	Description	Diameter	Height	Usable Volume	Actual Volume
<b>3.5m Diameter Wood Chip Silos – 10 Sided</b>					
C4035	40m <sup>3</sup> Decagonal Wood Chip Silo	3.5m	5.24m	41.35m <sup>3</sup>	48.11m <sup>3</sup>
C5035	50m <sup>3</sup> Decagonal Wood Chip Silo	3.5m	6.53m	53.75m <sup>3</sup>	60.52m <sup>3</sup>
<b>4.0m Diameter Wood Chip Silos – 12 Sided</b>					
C4040	40m <sup>3</sup> Dodecagonal Wood Chip Silo	4.0m	4.51m	43.21m <sup>3</sup>	53.30m <sup>3</sup>
C5040	50m <sup>3</sup> Dodecagonal Wood Chip Silo	4.0m	5.37m	54.01m <sup>3</sup>	64.11m <sup>3</sup>
C6040	60m <sup>3</sup> Dodecagonal Wood Chip Silo	4.0m	6.23m	64.81m <sup>3</sup>	74.91m <sup>3</sup>
C7040	70m <sup>3</sup> Dodecagonal Wood Chip Silo	4.0m	6.66m	70.21m <sup>3</sup>	80.31m <sup>3</sup>
<b>4.5m Diameter Wood Chip Silos – 12 Sided</b>					
C5045	50m <sup>3</sup> Dodecagonal Wood Chip Silo	4.5m	4.65m	54.68m <sup>3</sup>	69.06m <sup>3</sup>
C6045	60m <sup>3</sup> Dodecagonal Wood Chip Silo	4.5m	5.08m	61.52m <sup>3</sup>	75.90m <sup>3</sup>
C7045	70m <sup>3</sup> Dodecagonal Wood Chip Silo	4.5m	5.94m	75.19m <sup>3</sup>	89.57m <sup>3</sup>
C8045	80m <sup>3</sup> Dodecagonal Wood Chip Silo	4.5m	6.37m	82.02m <sup>3</sup>	96.40m <sup>3</sup>
C9045	90m <sup>3</sup> Dodecagonal Wood Chip Silo	4.5m	7.23m	95.70m <sup>3</sup>	110.07m <sup>3</sup>
<b>5.0m Diameter Wood Chip Silos – 12 Sided</b>					
C6050	60m <sup>3</sup> Dodecagonal Wood Chip Silo	5.0m	4.35m	59.07m <sup>3</sup>	78.79m <sup>3</sup>
C7050	70m <sup>3</sup> Dodecagonal Wood Chip Silo	5.0m	5.21m	75.95m <sup>3</sup>	95.67m <sup>3</sup>
C8050	80m <sup>3</sup> Dodecagonal Wood Chip Silo	5.0m	5.64m	84.39m <sup>3</sup>	104.11m <sup>3</sup>
C9050	90m <sup>3</sup> Dodecagonal Wood Chip Silo	5.0m	6.07m	92.83m <sup>3</sup>	112.55m <sup>3</sup>
C10050	100m <sup>3</sup> Dodecagonal Wood Chip Silo	5.0m	6.50m	101.27m <sup>3</sup>	120.99m <sup>3</sup>
C11050	110m <sup>3</sup> Dodecagonal Wood Chip Silo	5.0m	6.93m	109.70m <sup>3</sup>	129.43m <sup>3</sup>
<b>5.5m Diameter Wood Chip Silos – 16 Sided</b>					
C8055	80m <sup>3</sup> Dodecagonal Wood Chip Silo	5.5m	4.91m	81.69m <sup>3</sup>	107.94m <sup>3</sup>
C9055	90m <sup>3</sup> Dodecagonal Wood Chip Silo	5.5m	5.34m	91.90m <sup>3</sup>	118.15m <sup>3</sup>
C10055	100m <sup>3</sup> Dodecagonal Wood Chip Silo	5.5m	5.77m	102.11m <sup>3</sup>	128.36m <sup>3</sup>
C11055	110m <sup>3</sup> Dodecagonal Wood Chip Silo	5.5m	6.20m	112.32m <sup>3</sup>	138.57m <sup>3</sup>
C12055	120m <sup>3</sup> Dodecagonal Wood Chip Silo	5.5m	6.63m	122.53m <sup>3</sup>	148.78m <sup>3</sup>
C13055	130m <sup>3</sup> Dodecagonal Wood Chip Silo	5.5m	7.06m	132.74m <sup>3</sup>	158.99m <sup>3</sup>
<b>6.0m Diameter Wood Chip Silos – 16 Sided</b>					
C9060	90m <sup>3</sup> Dodecagonal Wood Chip Silo	6.0m	5.05m	97.21m <sup>3</sup>	131.30m <sup>3</sup>
C11060	110m <sup>3</sup> Dodecagonal Wood Chip Silo	6.0m	5.48m	109.37m <sup>3</sup>	143.45m <sup>3</sup>
C12060	120m <sup>3</sup> Dodecagonal Wood Chip Silo	6.0m	5.91m	121.52m <sup>3</sup>	155.60m <sup>3</sup>
C13060	130m <sup>3</sup> Dodecagonal Wood Chip Silo	6.0m	6.34m	133.67m <sup>3</sup>	167.75 m <sup>3</sup>
C14060	140m <sup>3</sup> Dodecagonal Wood Chip Silo	6.0m	6.77m	145.82m <sup>3</sup>	179.90m <sup>3</sup>
C16060	160m <sup>3</sup> Dodecagonal Wood Chip Silo	6.0m	7.20m	157.97m <sup>3</sup>	192.05m <sup>3</sup>





**Biomassa Opslag Systemen,**  
Julianaweg 4,  
6265 AJ Sint Geertruid,  
Netherlands.

**Tel:** + 316 5726 2454

**Email:** [info@biomassa-opslag.nl](mailto:info@biomassa-opslag.nl)

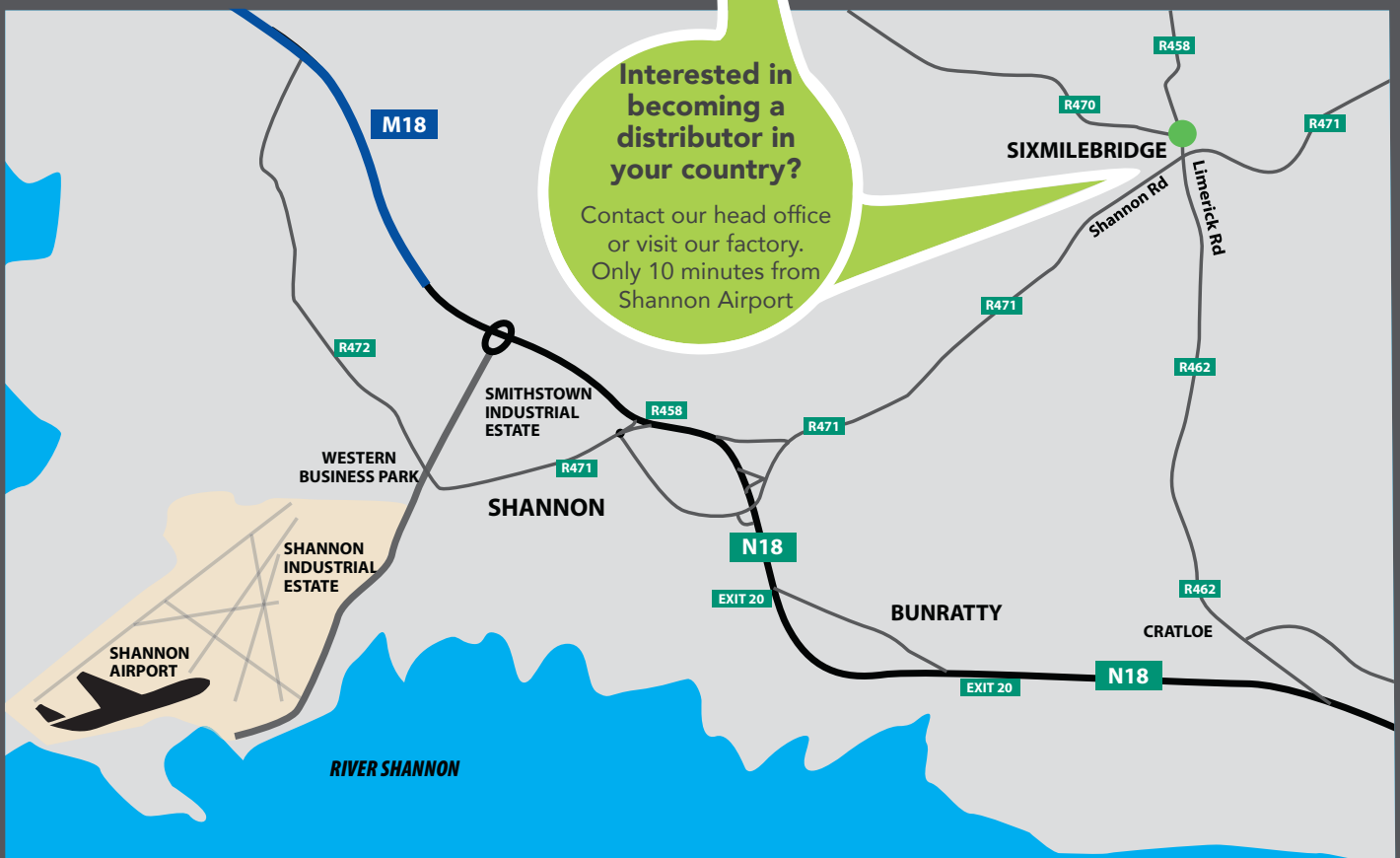
**Web:** [www.biomassa-opslag.nl](http://www.biomassa-opslag.nl)

Designed & Printed by ONE STOP PRINTING  
Email: [info@onestopprinting.ie](mailto:info@onestopprinting.ie) / 091 632 573

Map of Europe with Countries - Single Color by FreeVectorMaps.com

**Interested in becoming a distributor in your country?**

Contact our head office or visit our factory. Only 10 minutes from Shannon Airport.



**Biomassa Opslag Systemen,**

Julianaweg 4,  
6265 AJ Sint Geertruid,  
Netherlands.

**Tel:** + 316 5726 2454

**Email:** [info@biomassa-opslag.nl](mailto:info@biomassa-opslag.nl)

**Web:** [www.biomassa-opslag.nl](http://www.biomassa-opslag.nl)

